

4-17 HEAD AMP SCHEMATIC DIAGRAM

VIDEO MAIN SIGNAL PATH IN REC MODE

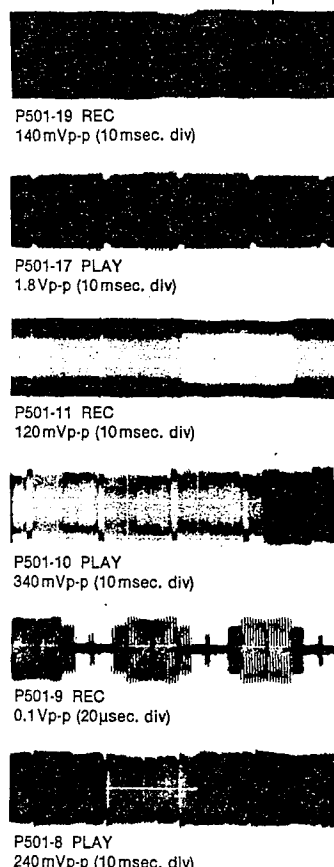
VIDEO MAIN SIGNAL PATH IN PLAYBACK MODE

AUDIO MAIN SIGNAL PATH IN REC MODE

AUDIO MAIN SIGNAL PATH IN PLAYBACK MODE

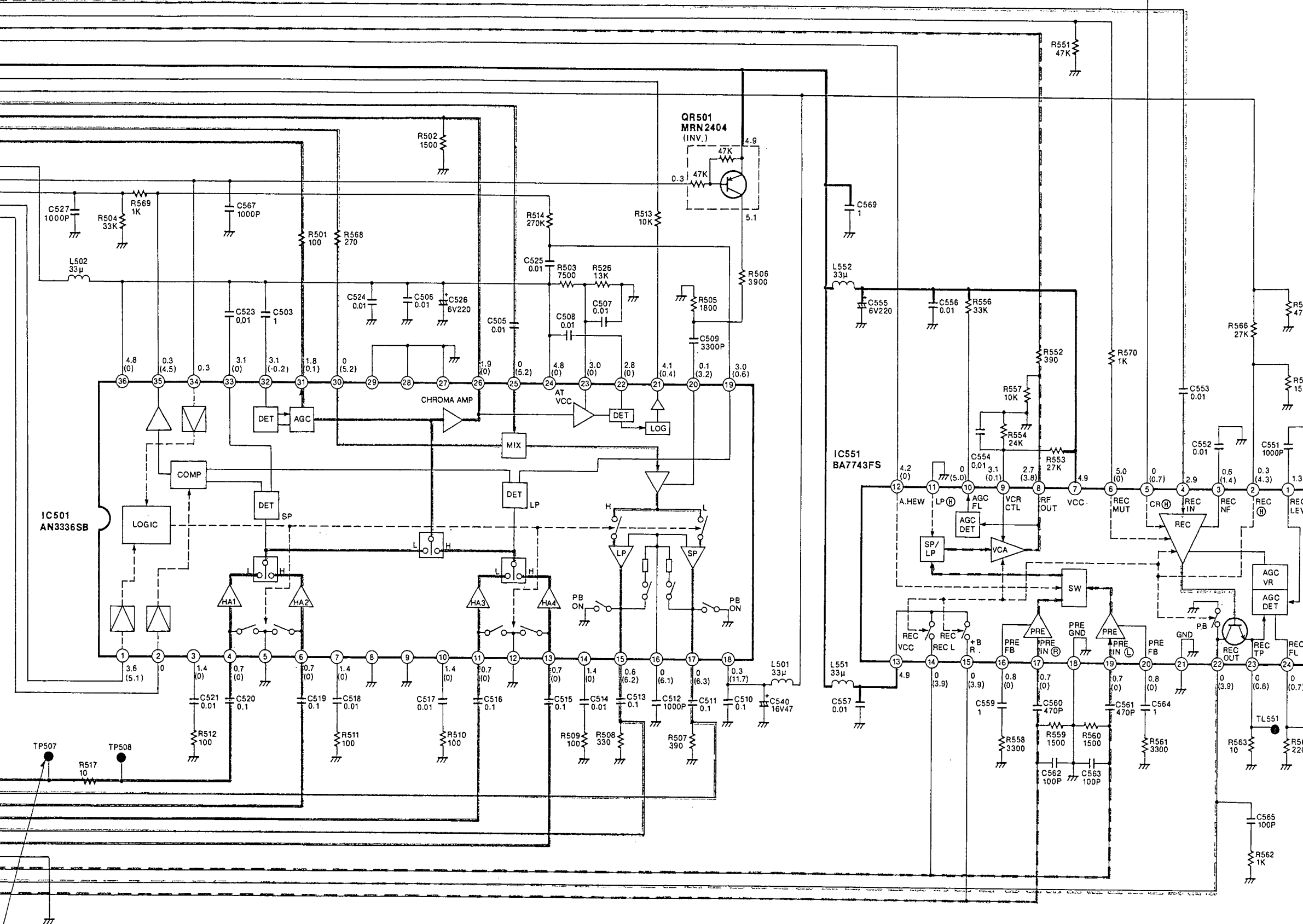
TO LUMINANCE/
CHROMINANCE & AUDIO
SECTION P3001
(Page: 4-13/C-16):
NV-HD70AM, 77AM
(Page: 4-17/C-16):
NV-HD90EE

P501	
P3001-1	CURR. EMPH (H) 20
P3001-2	REC IN 19
P3001-3	18
P3001-4	RF OUT 17
P3001-5	A. H SW 16
P3001-6	GND 15
P3001-7	S. NON. SW 5V 14
P3001-8	TRACKING ENV. 13
P3001-9	REC 12V 12
P3001-10	REC Y 11
P3001-11	RF C 10
P3001-12	REC C 9
P3001-13	RF Y 8
P3001-14	GND 7
P3001-15	E. REC 5V 6
P3001-16	H. AMP SW 5
P3001-17	ENV. SELECT 4
P3001-18	HEAD SW 3
P3001-19	LP (H) 2
P3001-20	GND 1



P502	
SP L	1
SP COM.	2
SP R	3
LP L	4
LP COM.	5
LP R	6
GND	7
A-HEAD L	8
A-HEAD COM.	9
A-HEAD R	10
	11
	12

TO CYLINDER DRIVE
P2901 (Page: 4-61A-5)

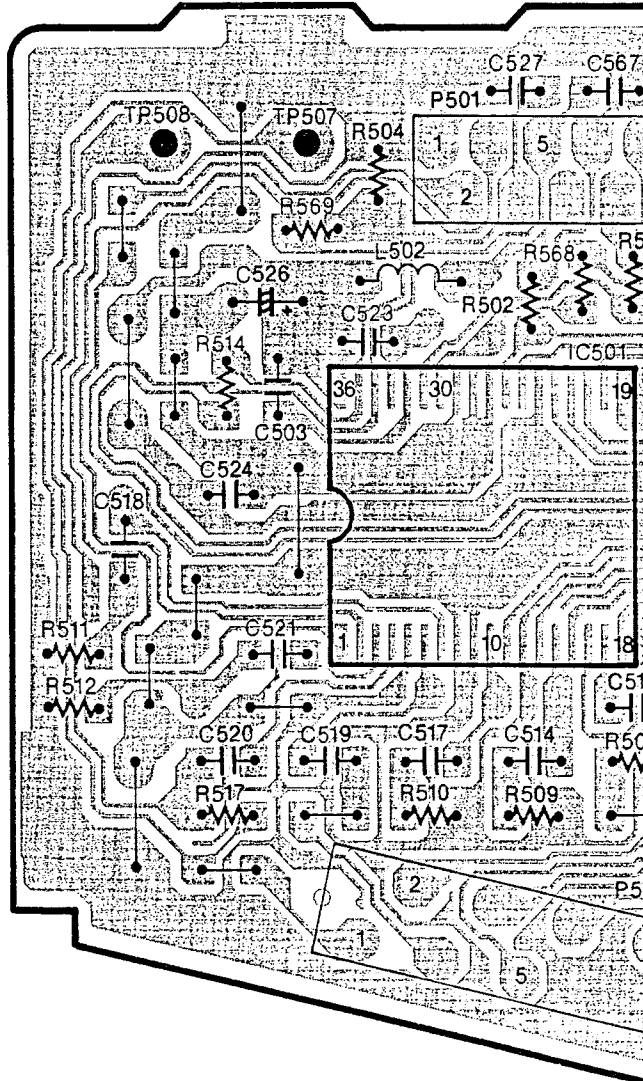
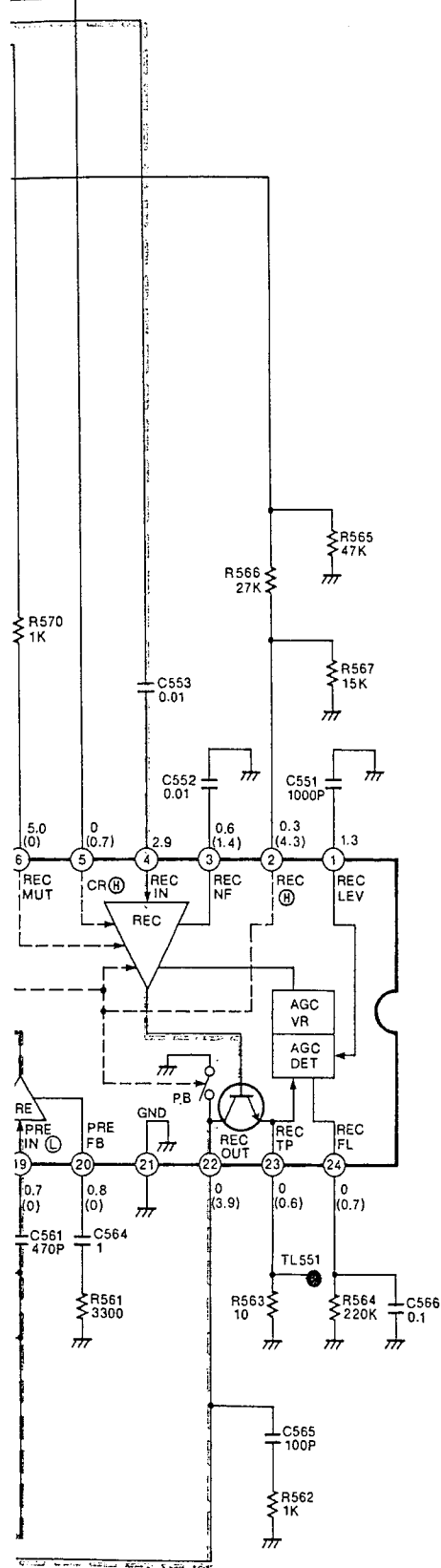


NOTE: THE MEASUREMENT MODE OF THE DC VOLTAGE IN THE BRACKETS () ON THIS DIAGRAM IS RECORD MODE WITH PAL COLOUR SIGNAL. (SP MODE)
THE MEASUREMENT MODE OF THE DC VOLTAGE OUT OF THE BRACKETS ON THIS DIAGRAM IS PLAYBACK MODE WITH PAL COLOUR SIGNAL. (SP MODE)

NOTE: DO NOT USE ANY PART NUMBER OF SCHEMATIC DIAGRAM FOR ORDERING. ORDER A PART, PLEASE REFER TO PA

4-18 HEAD AMP C B A (VEP05176C)

WITH IN REC MODE
 WITH IN PLAYBACK MODE



NOTE: DO NOT USE ANY PART NUMBER SHOWN ON THIS SCHEMATIC DIAGRAM FOR ORDERING. WHEN YOU ORDER A PART, PLEASE REFER TO PARTS LIST.